



Technical specification

# Cold milling machine W 50 DC

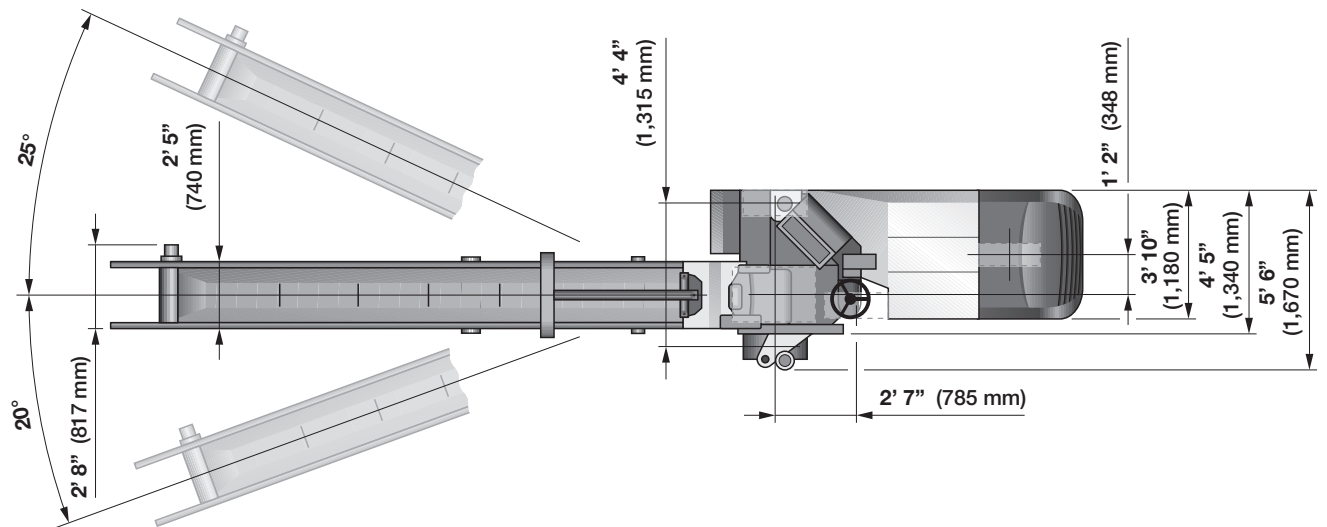
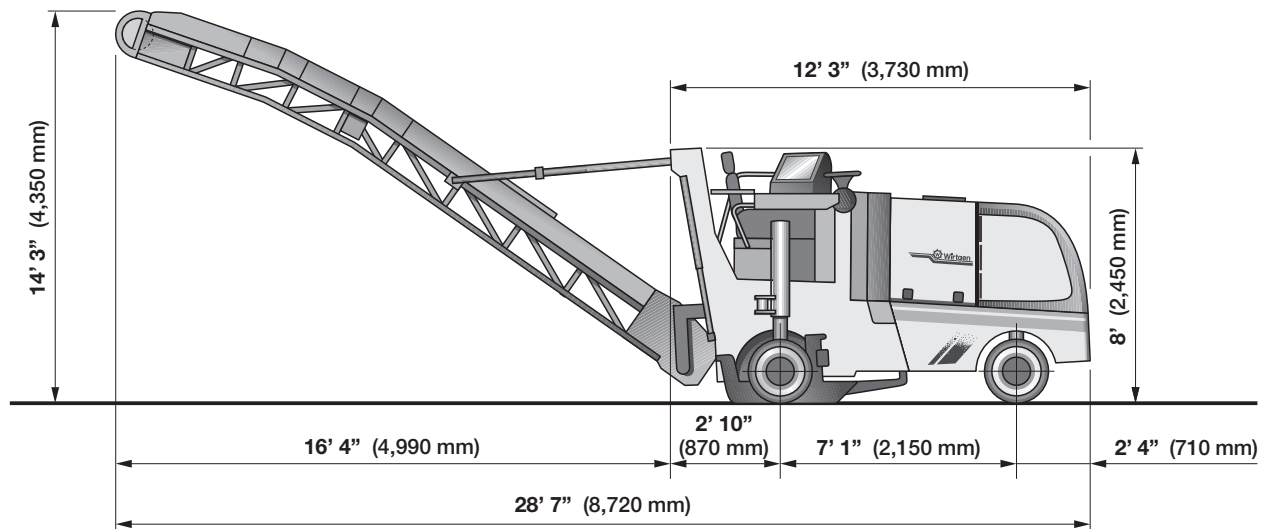


# Technical specification

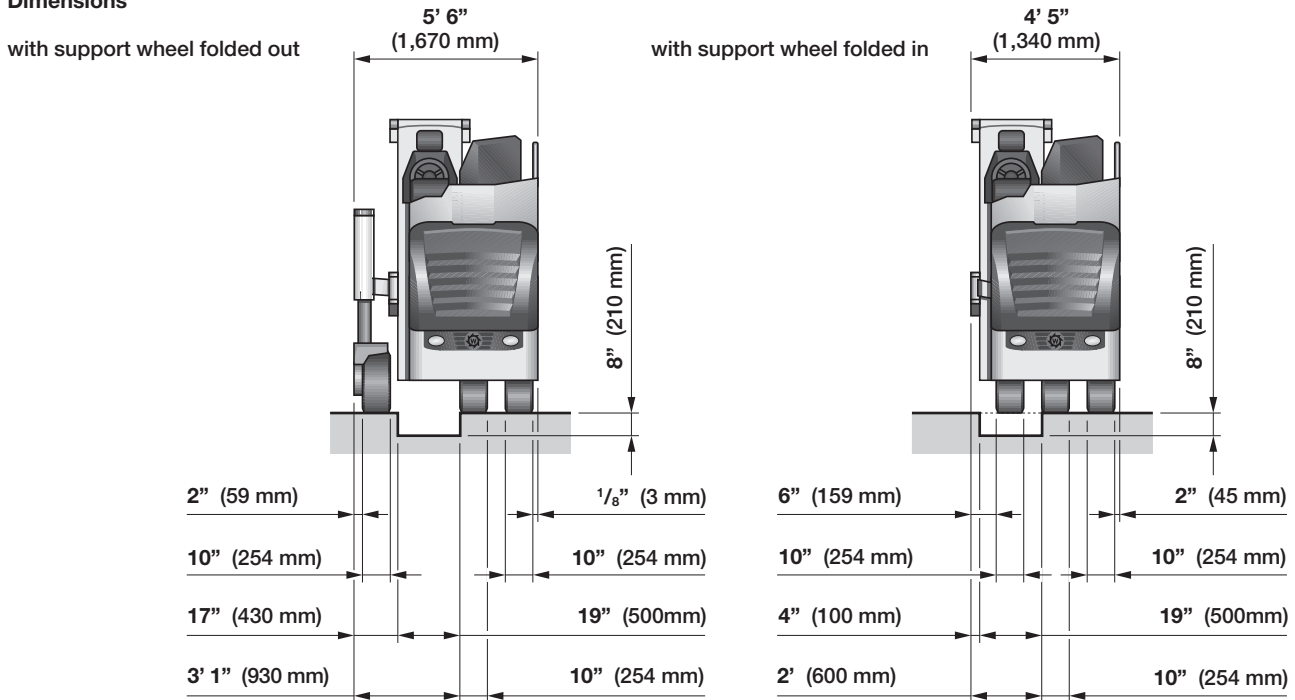
		<b>Cold milling machine W 50 DC</b>
<b>Milling width max.</b>		20" (500 mm)
<b>Milling depth *1</b>		0–8" (0–210 mm)
<b>Milling drum</b>		
Tool spacing		15 mm
Number of tools		50
Drum diameter with tools		30" (750 mm)
<b>Engine</b>		
Manufacturer		Deutz AG
Type		TCD2012 L04 2V AG3
Cooling		Water
Number of cylinders		4
Rated power at 2,100 min <sup>-1</sup>		92 kW/123 HP/125 PS
Displacement		246 in <sup>3</sup> (4,038 cm <sup>3</sup> )
Fuel consumption, <sup>1</sup> / <sub>1</sub> load		6.3 gal/h (23.7 l/h)
Fuel consumption in field mix		4.2 gal/h (16.0 l/h)
Emission standards		2004/26/EU, Stage III a, EPA TIER III
<b>Electrical system</b>		24 V
<b>Tank capacities</b>		
Fuel tank		60.8 gal (230 l)
Hydraulic fluid tank		21.1 gal (80 l)
Water tank		158.5 gal (600 l)
<b>Speed/gradeability</b>		
Travel speed in milling gear, max.		0–89 ft/min (0–27 m/min)
Travel speed in travel gear, max.		0–3.3 MPH (0–5.3 km/h)
<b>Tires</b>		
Type		Solid rubber
Tire size front and rear, 3-wheeled model	(dia. x W)	22" x 10" (559 x 254 mm)
Tire size front, 4-wheeled model	(dia. x W)	22" x 8" (559 x 203 mm)
Tire size rear, 4-wheeled model	(dia. x W)	22" x 10" (559 x 254 mm)
<b>Conveyor system</b>		
Belt width		16" (400 mm)
Theoretical conveyor capacity		107 yd <sup>3</sup> /h (82 m <sup>3</sup> /h)
<b>Shipping dimensions</b>		
Machine dimensions (L x W x H)		12' 3" x 5'6" x 8' (3,730 x 1,670 x 2,450 mm)
Conveyor dimensions (L x W x H)		20' x 2' 8" x 3' 11" (6,100 x 817 x 1,200 mm)

\*1 = The maximum milling depth may deviate from the value indicated, due to tolerances and wear.

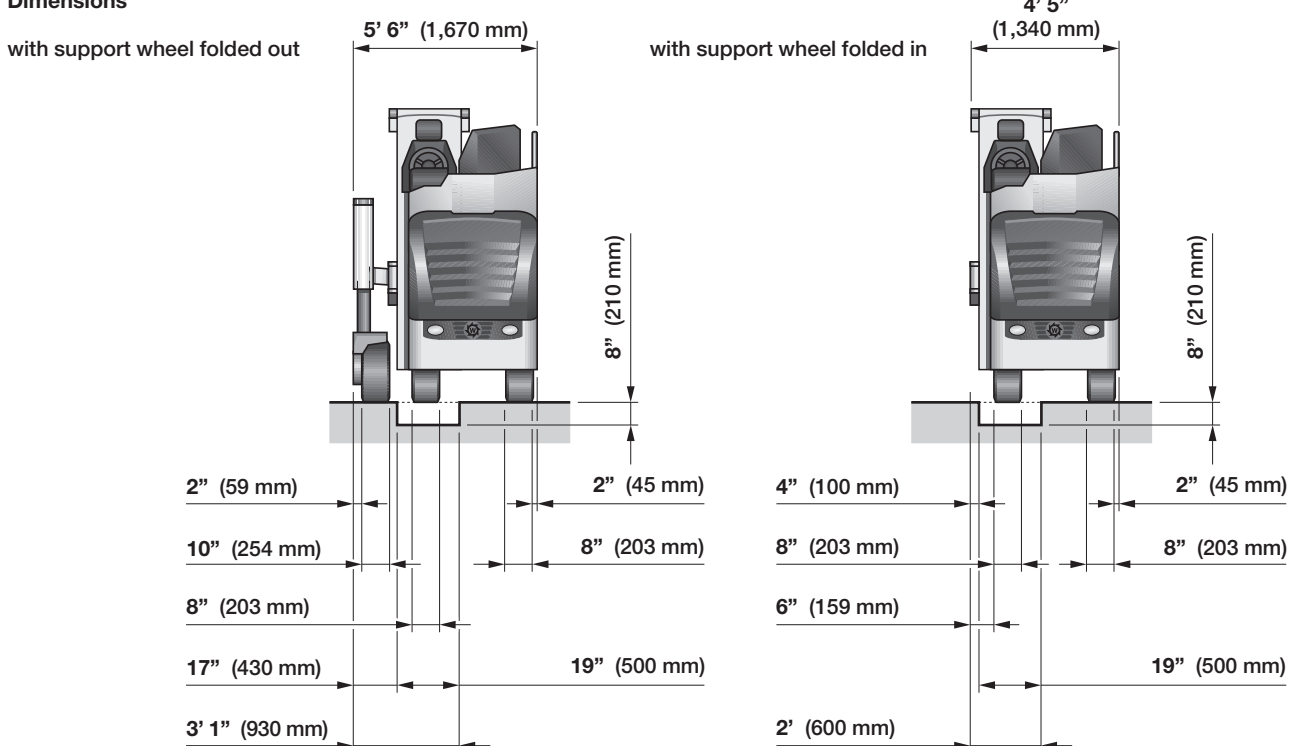
Dimensions



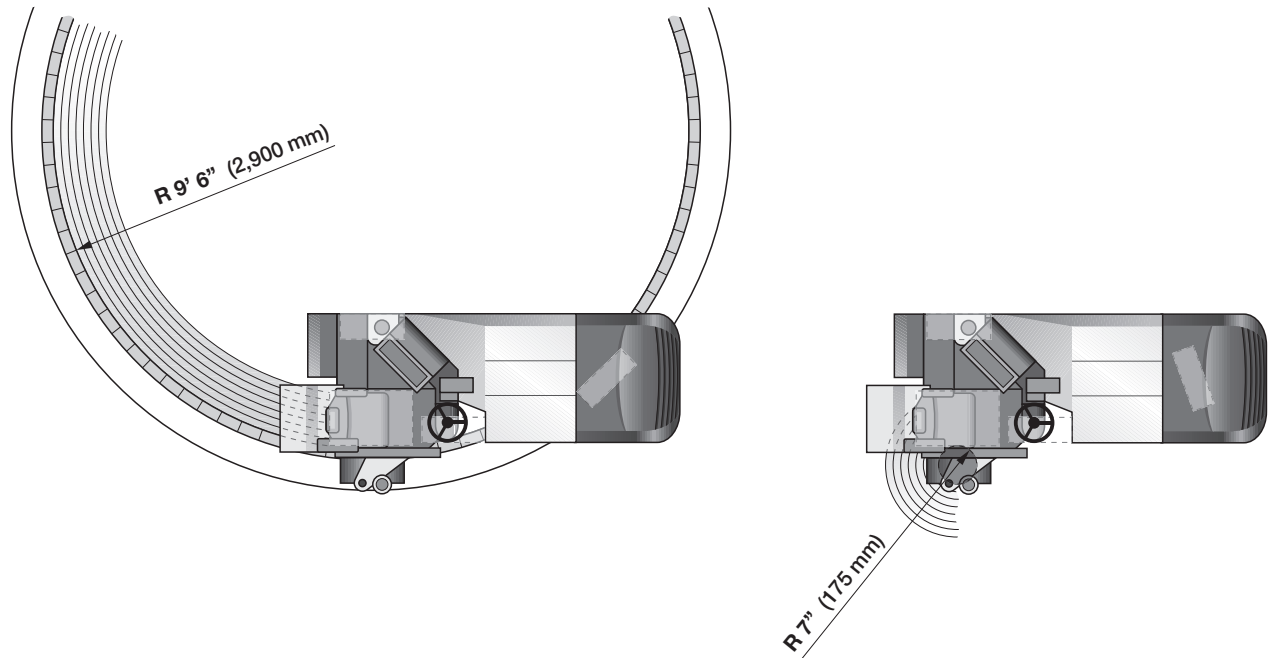
**Front view of W 50 DC, 3-wheeled model**  
Dimensions



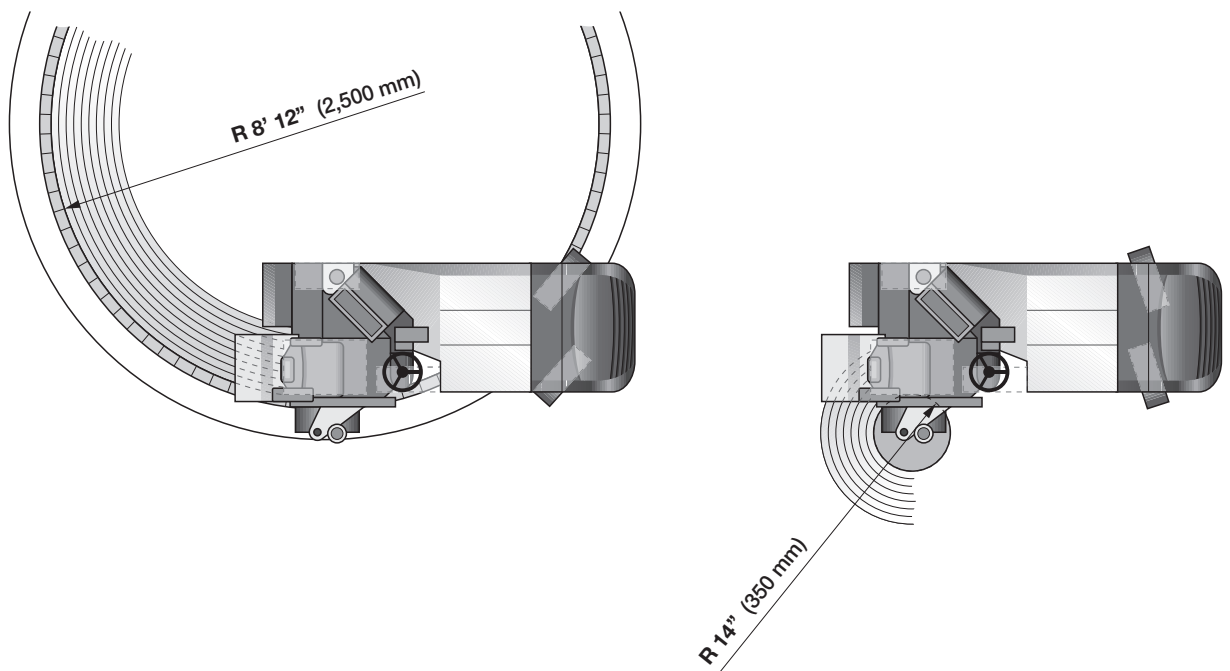
**Front view of W 50 DC, 4-wheeled model**  
Dimensions



**Milling radius of W 50 DC, 3-wheeled model, 2" (50 mm) milling depth**  
Dimensions

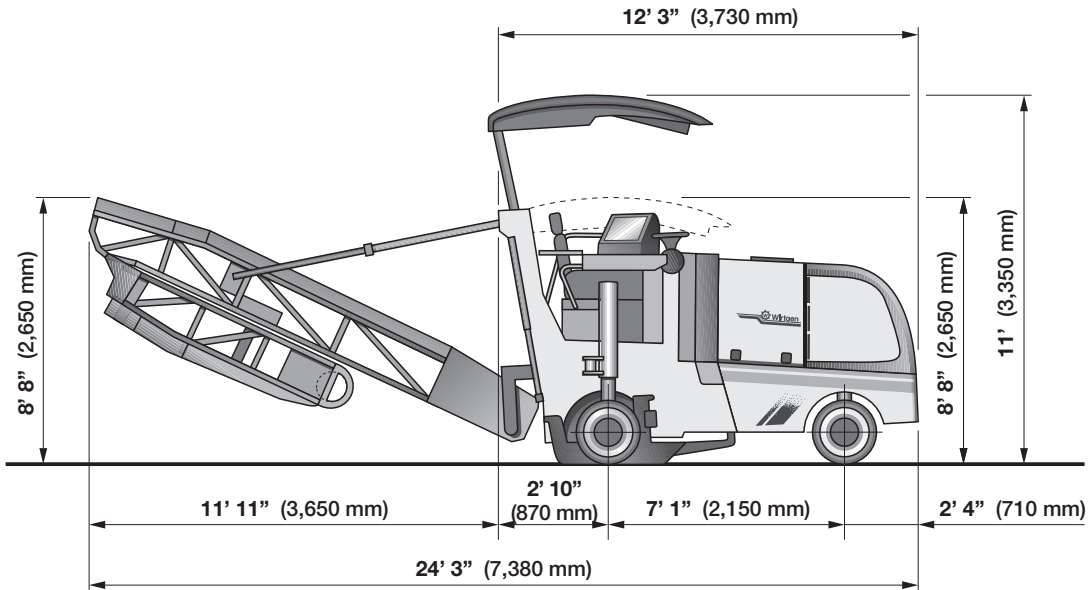


**Milling radius of W 50 DC, 4-wheeled model, 2" (50 mm) milling depth**  
Dimensions



## Machine transport with optional folding conveyor and canopy roof

### Dimensions



	Standard weights of cold milling machine W 50 DC 3-wheeled model with long conveyor
Own weight	16,094 lbs (7,300 daN (kg))
Operating weight, CE *	17,196 lbs (7,800 daN (kg))
Operating weight, max.	17,857 lbs (8,100 daN (kg))
Added / Reduced weight	
Optional loading conveyors	
Without conveyor and standard scraper blade	- 1,433 lbs (- 650 daN (kg))
Short conveyor with standard scraper blade	- 441 lbs (- 200 daN (kg))
Long folding conveyor with standard scraper blade	110 lbs (50 daN (kg))
FCS equipment	
FCS scraper blade	397 lbs (180 daN (kg))
Optional equipment	
Four-wheel design	551 lbs (250 daN (kg))
Canopy	441 lbs (200 daN (kg))

\* = Weight of machine with half-full water tank, half-full fuel tank, driver (165.3 lbs (75 kg)) and tools.

## Equipment features of cold milling machine W 50 DC

### Standard equipment:

#### Operator's platform

- Convenient access to operator's platform
- Fully vibration-damped operator's platform
- Standard driver's seat adjustable in direction of travel
- Convenient control panel with practical switches
- Digital multi-functional display in control panel
- Height-adjustable steering wheel
- Multi-functional machine operation integrated in right-hand armrest
- Lockable covers for control panels
- Exterior rear view mirrors left and right
- Reversing horn

#### Machine control system

- Mechanical milling depth display via clock left and right
- Automatically engageable hydraulic traction control (flow divider)
- Automatically engaging maximum milling speed control
- Engageable water injection in milling chamber

#### Engine

- Water-cooled engine
- Highly effective soundproofing of entire engine compartment

#### Milling drum assembly with milling drum

- Milling drum in welded double-pin toolholder design
- Right-hand side plate in hinged design
- Hydraulically adjustable front sealing
- Additional lock-valve for scraper blade

#### Loading the milled material

- Discharge conveyor, 18' 4" (5,600 mm) long
- Discharge conveyor slewing angle left 25 degrees
- Discharge conveyor slewing angle right 20 degrees
- Hydraulic quick-release couplings at loading conveyor
- Conveyor system with adjustable conveying speed

#### Travelling gear / Height adjustment

- 3-wheeled chassis
- Hydraulically folding rear right support wheel
- Height adjustment via proportional valve control
- Proportional speeds for height adjustment

#### Miscellaneous

- Lighting package with 3 spotlights
- Comprehensive tool kit
- Comprehensive safety package with 1 emergency stop button
- Additional storage compartment for cutting tool containers

### Optional Equipment:

#### Operator's platform

- Canopy, electro-hydraulically adjustable in height and mechanically adjustable to either side
- Sunshade
- Comfort driver's seat with individual adjustment to either side and in longitudinal direction
- Additional illumination of control panel, night design

#### Machine control system

- Digital electric height indication
- Automatic levelling system Level Pro with one wire-rope sensor each edge protection right, and edge protection left
- Slope sensor

#### Engine

- Operation of cold milling machine with bio-degradable hydraulic fluid

#### Milling drum assembly with milling drum

- Milling drum unit, 16" (400 mm) milling width, HT01, with scraper blade
- Milling drum unit, 12" (300 mm) milling width, HT01, with scraper blade
- Milling ring, 3" (80 mm) milling width, 12" (300 mm) milling depth
- Fine milling drum, 20" (500 mm) milling width, HT01, 1/4" (6 mm) tool spacing
- Hydraulically lifting drum plates
- FCS tandem scraper
- Mounting carriage for milling drums

#### Loading the milled material

- Mechanically folding discharge conveyor, 18' 4" (5,600 mm) long
- Short discharge conveyor, 3' 7" (1,100 mm) long
- Model without loading conveyor but with scraper blade
- Model without loading conveyor and without scraper blade with simple flap

#### Travelling gear / Height adjustment

- 4-wheeled chassis

#### Miscellaneous

- Special painting
- Lighting package with 3 spotlights and direction indicators
- Additional hydraulic connection for ancillary hydraulic equipment



## WIRTGEN AMERICA

Wirtgen America Inc.  
6030 Dana Way · Nashville, TN 37013, USA  
Phone: (615) 501-0600 · Fax: (615) 501-0691  
Internet: [www.wirtgenamerica.com](http://www.wirtgenamerica.com)