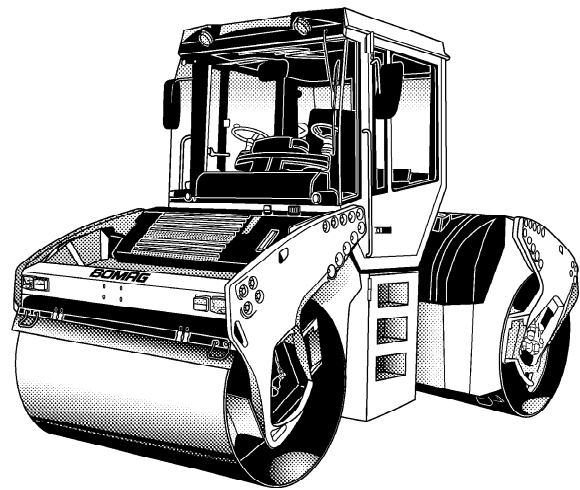


BOMAG

TANDEM VIBRATORY ROLLERS BW 141 AD-4, BW 151 AD-4, BW 154 AD-4

PERFORMANCE DATA



Machine type	Compaction output (m ³ /h) at recommended soil layer thicknesses		
	Gravel, sand	Mixed soil	Silt, clay
BW 141 AD-4	140-280	120-250	65-130
BW 151 AD-4	160-320	150-300	75-150

Machine type	Compaction output (t/h) at different asphalt layer thicknesses		
	2-4 cm	6-8 cm	10-14 cm
BW 141 AD-4	35-70	70-150	100-180
BW 151 AD-4	40-80	80-170	120-200
BW 154 AD-4	40-80	80-170	120-200

BOMAG

Technical Data

Shipping dimensions in m3

	without ROPS	with ROPS
BW 141 AD-4	17,754	22,958
BW 151 AD-4	19,679	25,447
BW 154 AD-4	19,679	25,447

Standard Equipment

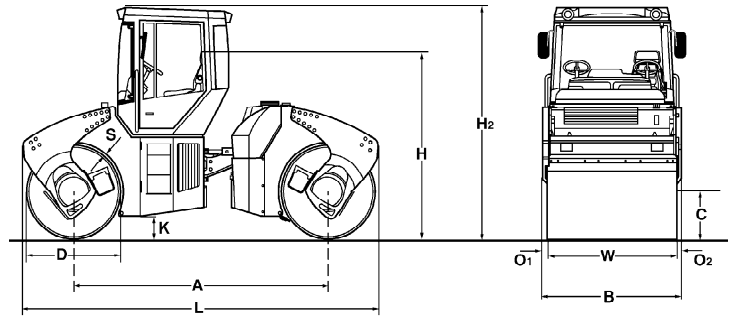
- 2 amplitudes / 2 frequencies
- Crab steer right/left 170 mm
- Autom. vibration operation
- Individual vibration control
- Operator's platform with:
 - two steering wheels
 - Rotable and laterally sliding seat
- 2 travel levers with integrated switches for vibration
 - + Edge pressing roller
 - + Crab steer right/left
- Vehicle electrics with modular technology
- Pressure sprinkling system with 2 pumps
- Back-up alarm
- Battery disconnect switch

Optional Equipment

- * ROPS cabin with seat belts
 - + heating
 - + 4 integrated lights
- * Indicator and hazard lights
- Rotary beacon
- Speedometer
- Edge cutter
- Folding scrapers
- Special painting
- Environmentally compliant hydraulic oil
- Air condition
- Electronic Engine Immobilizer
- EVIB-Control panel
- Tool box
- Air intake for dusty conditions

* Standard delivery with CE conformity (valid within European Union)

Tech. data can differ from country to country.



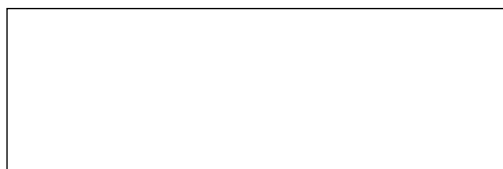
Dimensions in mm

	A	B	C	D	H	H2	K	L	O	S	W
BW 141 AD-4	3300	1660	715	1220	2320	3000	350	4610	80	17	1500
BW 151 AD-4	3300	1840	715	1220	2320	3000	350	4610	80	17	1680
BW 154 AD-4	3300	1840	715	1220	2320	3000	350	4610	80	17	1680

Technical Data

	BOMAG BW 141 AD-4	BOMAG BW 151 AD-4	BOMAG BW 154 AD-4
Weights			
Operating weight CECE	kg 7.850	8.250	9.300
Operating weight CECE w. cab.	kg 8.300	8.700	9.800
Axle load, front CECE	kg 4.150	4.350	4.900
Axle load, rear CECE	kg 4.150	4.350	4.900
Static linear load, front CECE	kg/cm 27,7	25,9	29,2
Static linear load, rear CECE	kg/cm 27,7	25,9	29,2
Dimensions			
Track radius, inner	mm 4.490	4.400	4.400
Drums			
Split drum	no	no	yes
Driving Characteristics			
Max. travel speed	km/h 0- 10,5	0- 10,5	0- 10,5
Max. gradeability without/with vibr.	% 40/35	40/35	35/30
Drive			
Engine manufacturer	Deutz	Deutz	Deutz
Type	TD 2011 L04 w	TD 2011 L04 w	TD 2011 L04 w
Cooling	water	water	water
Number of cylinders	4	4	4
Performance ISO 14396	kW 63	63	63
Performance SAE J 1995	hp 84,4	84,4	84,4
Speed	min-1 2.500	2.500	2.500
Electric equipment	V 12	12	12
Brakes			
Service brake	hydrost.	hydrost.	hydrost.
Parking brake	mech.	mech.	mech.
Steering			
Steering system	oscil.artic.	oscil.artic.	oscil.artic.
Lateral displacement right/left	mm 170	170	170
Exciter system			
Vibrating drum	front + rear standard	front + rear standard	front + rear standard
Autom. vibr. shut off			
Frequency	Hz 40/55	40/55	45/55
Amplitude	mm 0,71/0,34	0,66/0,31	0,49/0,23
Centrifugal force	kN 70/63	70/63	89/63
Capacities			
Fuel	l 160	160	160
Water	l 800	800	800

Technical modifications reserved. Machines may be shown with options.



BOMAG
 Hellerwald
 D-56154 Boppard
 P.O. Box 5162
 Tel. (0)6742 - 1000
 Fax (0)6742 - 3090
 Fax (0)6742 - 3090

BOMAG