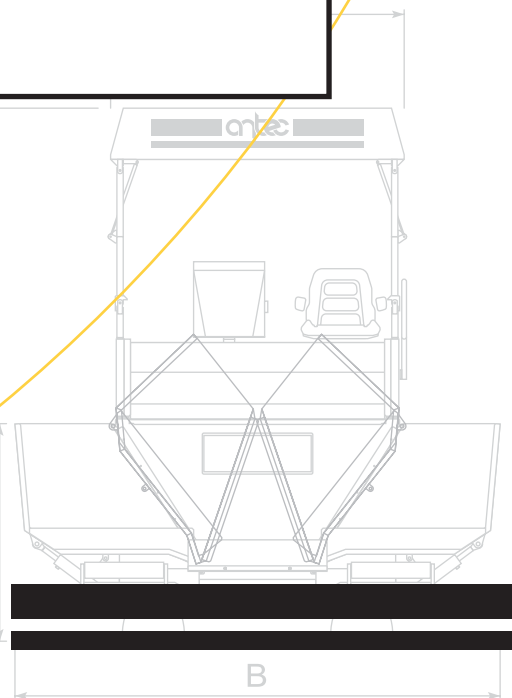


# pw 3500



antec spa





# Road Paver Wheels

## pw 3500

### TECHNICAL DATA

#### DIMENSIONS

Length with RV 3500 mm 4920  
 Dimensions (see ill.)

#### ENGINE

Manufacturer Deutz F4L2011  
 Type Oil cooling, diesel  
 No. of cylinders 4  
 Power (DIN/ISO 3046/1 "BII") @ 2600 rpm kW 45,2 (61,5 PS)  
 Max torque Nm 190 @ 1700 rpm  
 Generator 14 V - 60 A

#### BRAKES

Service brake Hydrostatic  
 Parking brake/Emergency Multiple disks negative brake on reduction gears

#### TRACTION - STEERING

Transmission type Hydrostatic  
 Steering type Hydraulic  
 Internal turning radius m 2,65

#### PERFORMANCES

Spread layer width 1830 ÷ 3550 mm  
 Max spread layer width (with mech. ext.) mm 4050  
 Production t/h 150  
 Layer thickness 5 ÷ 280 mm  
 Hopper capacity with tunnel t 8,0  
 2° gear speed (transfer) km/h 0 - 12,00  
 1° gear speed (work) m/min. 0 - 35

#### TANK CAPACITY

Fuel tank lt. 85  
 Hydraulic oil lt. 77  
 Ecological liquid Ecological liquid lt. 25

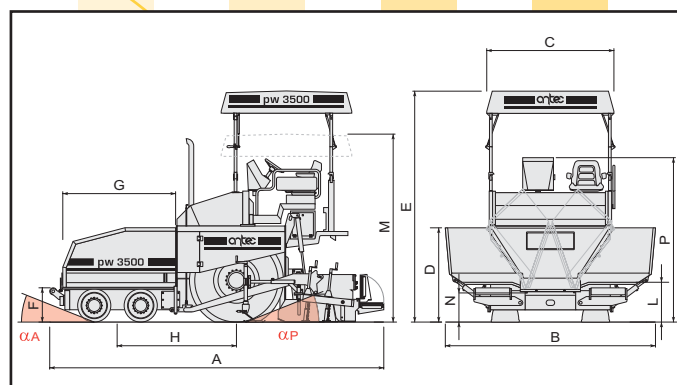
#### WHEELS

Traction 15,5 - 25  
 Steering Ø 485 x 260

#### WEIGHTS (CECE)

Vibrating extendible screed model **RV 3500** t 7,0  
 Vibrating extendible screed with tamper and gas heaters model **RTV 3500** t 7,2  
 Vibrating extendible screed with tamper and electric heaters model **RTV 3500 E** t 7,3

### DIMENSIONS (mm)



A	B	C	D	E	F	G
4920	3050	1950	1380	3370	480	1650
H	L	M	N	P	αA	αP
1750	550	2600	420	2370	23°	16°

### EQUIPMENT

#### OPTIONAL EQUIPMENT

Front wheel drive  
 Longitudinal leveller  
 Transversal leveller  
 Mechanical extensions  
 Augers extensions  
 Reduction plates for screed paving width at 800 mm  
 Proportional ultrasonic controlled augers

#### VIBRATOR FREQUENCY

Vibrator frequency 1000 ÷ 3450 rpm  
 (16,5 ÷ 58,0 Hz)

#### SCREED OPTION

Model	Width (mm)	Max spread width (mm)	Heating
RTV 3500	1830 - 3500	4500	GPL
RTV 3500 E	1830 - 3500	4500	Electric

R= Screed V= Vibrator T= Tamper

### DESCRIPTION

The machine has three axles; front: two axles for steering, rear: axle for traction. The rear axle is fitted with large pneumatic tyres so that the machine can be driven on soft ground. The front rocking axles are fitted large semi-elastic tyres. Servo assisted steering with hydraulic pump gives a smooth control when turning. Hopper independently controlled by an electric-hydraulic system. Pushing rollers in sequence with hoppers. Foldable canopy. Two independent chain conveyors fitted with anti wearing steel slats. The height of the augers is electric-hydraulically controlled. Two electrical plate switches which control the conveyors and the augers regulate the flow of material to the screed. Electrical system 12 V, 100 Ah. Augers and conveyors are reversible. Solenoid valve that controls the hydraulic oil flow through the differential block to the driver wheels. Vibrating screed (RV 3500), plates heating GPL, automatic lighting and electronic burners control; ISR (Screed Lifting System). Two adjustable and sprung seats, left and right, can slide externally. The control console is adjustable to the seat position to permit easy operations. The road operator has operation and emergency controls which are fitted with anti-vandal guards.

Sizes, specifications and photos are not binding and can change without any notice.

ANTEC S.p.a. Viale Primo Maggio, 4/B - 20068 Peschiera Borromeo - MI - Italia -  
 Tel. +3902547471 Fax. +390255300417  
 Web: www.antec-spa.com - E-mail: info@antec-spa.com



COMPANY WITH QUALITY MANAGEMENT SYSTEM CERTIFIED BY DNV = ISO 9001:2000 =