

DYNAPAC

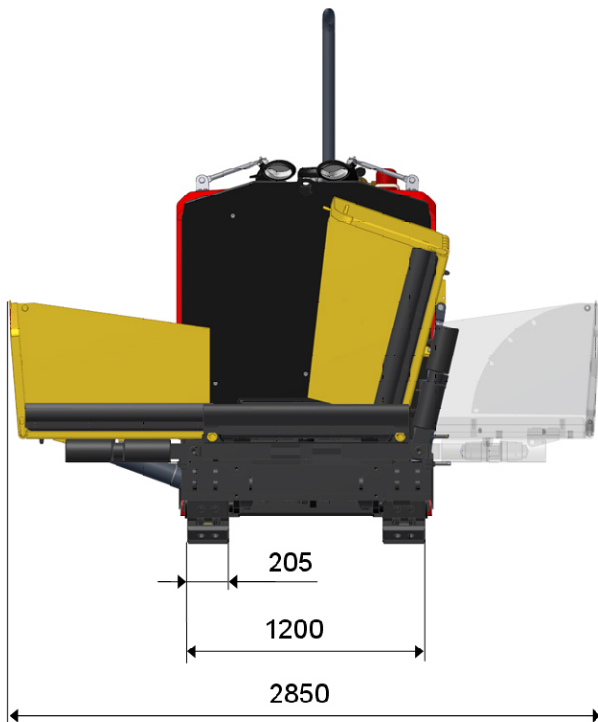
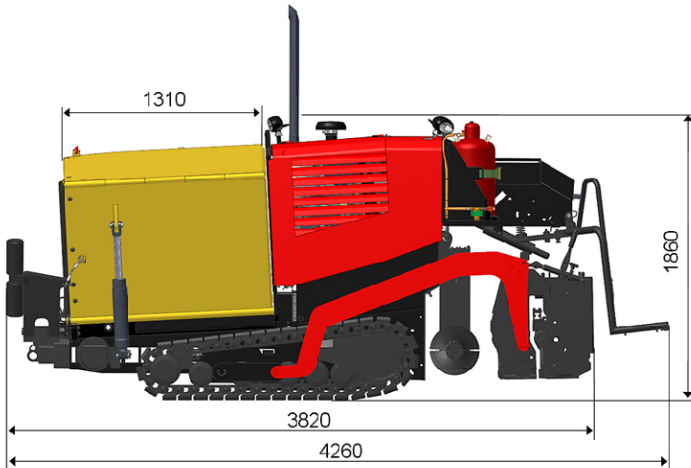
Part of the Atlas Copco Group

F5CS

Tracked pavers



Technical data



Dimensions	F5CS
Basic width	1.20 m
Working width, maximum (incl. extension boxes)	3.10 m
Working width, minimum (with reducing shoe)	0.30 m
Working width, hydraulic extendable	2.40 m
Masses	
Weight	5.50 t
Capacity	
Placement thickness (max)	200 mm
Theoretical placement capacity	300 t/h
Material hopper	
Capacity	2.3 m ³ (5 t)
Hopper width, internal	2,830 mm
Traction	
Paving speed	0-16 m/min
Transport speed	3 km/h
Engine	
Manufacturer/Model	Deutz TCD2011 L03
Rated power, SAE J1995	45 kW (60 hp) @ 2,300 rpm
Emissions according to	EU3A /Tier 3
Electrical system	24V
Fuel tank capacity	85 l
Undercarriage	
Crawler length	1,385 mm
Crawler width	205 mm
Final drive	Direct drive over transmissions
Conveyor	
Conveyor type	Single slat conveyor with center cover
Conveyor width	620 mm
Conveyor control	Manual or automatically with limit switch
Auger	
Auger diameter	320 mm
Auger control	Automatically with ultrasonic sensor

Find your local dealer at www.dynapac.com

We reserve the right to change specifications without notice. Photos and illustrations do not always show standard versions of machines. The above information is a general description only, all informations are supplied without liability.