

DYNAPAC

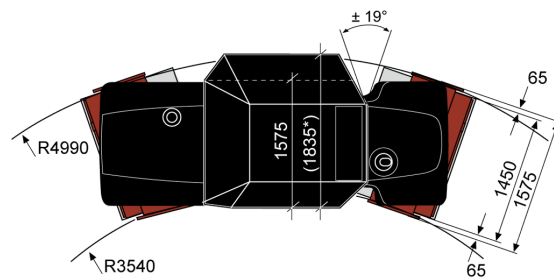
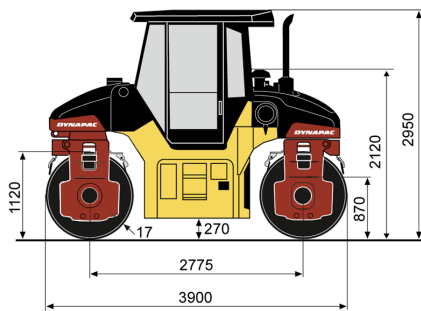
Part of the Atlas Copco Group

CG233HF

Double drum vibratory rollers



Technical data



Masses		CG233HF
Max. operating mass		8,900 kg
Operating mass (incl. ROPS)		8,200 kg
Module mass (front/ rear)		4,100/ 4,100 kg
Traction		
Speed range (km/ h)		0-12
Vertical oscillation		±6°
Theor. gradeability		38 %
Compaction		
Water tank (l)		2 x 370
Centrifugal force (high/ low amplitude)		89/ 68 kN
Nominal amplitude (high/ low)		0.5/ 0.2 mm
Vibration frequency (high/ low amplitude)		54/ 68 Hz
Off- set		900 mm
Static linear load		28.3 kg/ cm
Engine		
Manufacturer		Deutz
Model		TD2011 L4W
Type		Water cooled turbo Diesel with After Cooler
Rated power		88 hp
Rated power		65 kW
Rated power @		2,600 rpm
Rated power (rating standard)		SAE J1995
Fuel tank capacity		100 l
Hydraulic system		
Driving		Axial piston pump with variable displacement. Radial piston motors with constant displacement: CG223 HF (2), CG233 HF (4).
Vibration		Axial piston pump with variable displacement. Axial piston motors (2) with constant displacement.
Steering		Gear pump with constant displacement.
Service brake		Hydrostatic in forward and reverse lever.
Parking/ Emergency brake		Failsafe multidisc on both drums on CG223HF and on each drum half on CG233HF.
Emergency stop		Engine shut off

Find your local dealer at www.dynapac.com

We reserve the right to change specifications without notice. Photos and illustrations do not always show standard versions of machines. The above information is a general description only, all informations are supplied without liability.