

AP500E PAVER

WHEEL UNDERCARRIAGE



MACHINE OVERVIEW

The AP500E is a small to mid-sized paver that offers excellent mobility in confined areas due to its compact size and tight turning wheel undercarriage. It combines the latest technology with high production characteristics for a very versatile paver. Its size and weight enables easy transport with small and medium-sized compaction equipment.

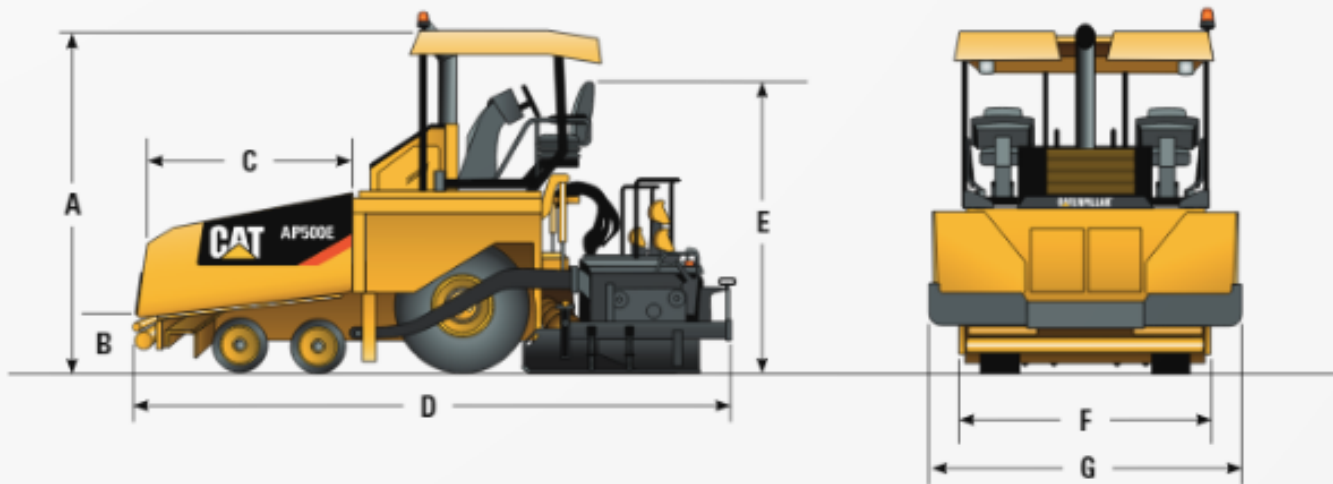
APPLICATIONS

- Base aggregates
- Highways
- Overlays
- Parking lots
- Pathways
- Patchwork/resurfacing
- Roller compacted concrete (RCC)
- Rural roads
- Urban streets

HIGHLIGHTS

- 7.0 m (23') maximum paving width
- Maximum throughput capacity is 1087 tonnes/h (1,198 tph)
- Cat C4.4 engine delivers 106 kW (142 hp) and meets Tier 3/Stage IIIA emission standards
- Automatic engine speed control
- Power Turning System delivers a tight inside turning radius of 0.75 m (2.5') and provides traction to push haul trucks through turns
- Front wheel assist or all-wheel drive options
- Advisor operating display; multiple language options, machine monitoring, job site planning
- Fumes Management System
- Dual independent operating stations
- Individual control of each auger and each conveyor

SPECIFICATIONS



Dimensions

A Operating height	3.84 m (12' 7")
B Truck entry height	545 mm (21")
C Hopper length	1.96 m (6' 5")
D Transport length w/AS2252C screed	5.46 m (17' 11")
Transport length w/AS3251C screed	6.11 m (20')
Transport length w/AS4252C screed	5.75 m (18' 10")
E Transport height	2.82 m (9' 3")
F Transport width w/foldable end gates	2.72 m (8' 11")
G Tractor operating width	3.31 m (10' 10")

Material Delivery

Maximum throughput capacity	1087 tonnes/h (1,198 t/h)
Augers and conveyors	Reversible
Auger height adjustment range	216 mm (8.5")
Auger flight diameter	406 mm (16")
Hopper capacity w/tunnels	6.2 m ³ (219 ft ³)
Power mainframe extensions	457 mm (18")

Powertrain

Cat C4.4 engine	106 kW (142 hp)
Fuel capacity	189 L (50 gal)
Generator size	25 kW
Electrical system	24 volt with 75 amp alternator

Operating Weights

Tractor	12 590 kg (27,760 lb)
Tractor with canopy	12 945 kg (28,539 lb)
with AS2252C*	15 290 kg (33,715 lb)
with AS3251C*	15 520 kg (34,220 lb)
with AS4252C**	16 145 kg (35,594 lb)

* Weight without canopy

** Weight with canopy

Screed Paving Range

AS2252C	1.88 m - 5.60 m (6' 2" - 18' 5")
AS3251C	1.83 m - 6.15 m (6' - 20' 2")
AS4252C	2.55 m - 7.0 m (8' 2" - 23')
Max. paving depth	305 mm (12")

Speed

Paving	61 m/min (200 fpm)
Paving w/tamper bar screed	25 m/min (82 fpm)
Travel speed	16 km/hr (10 mph)