



Technical specification

Cold Milling Machine W 1900

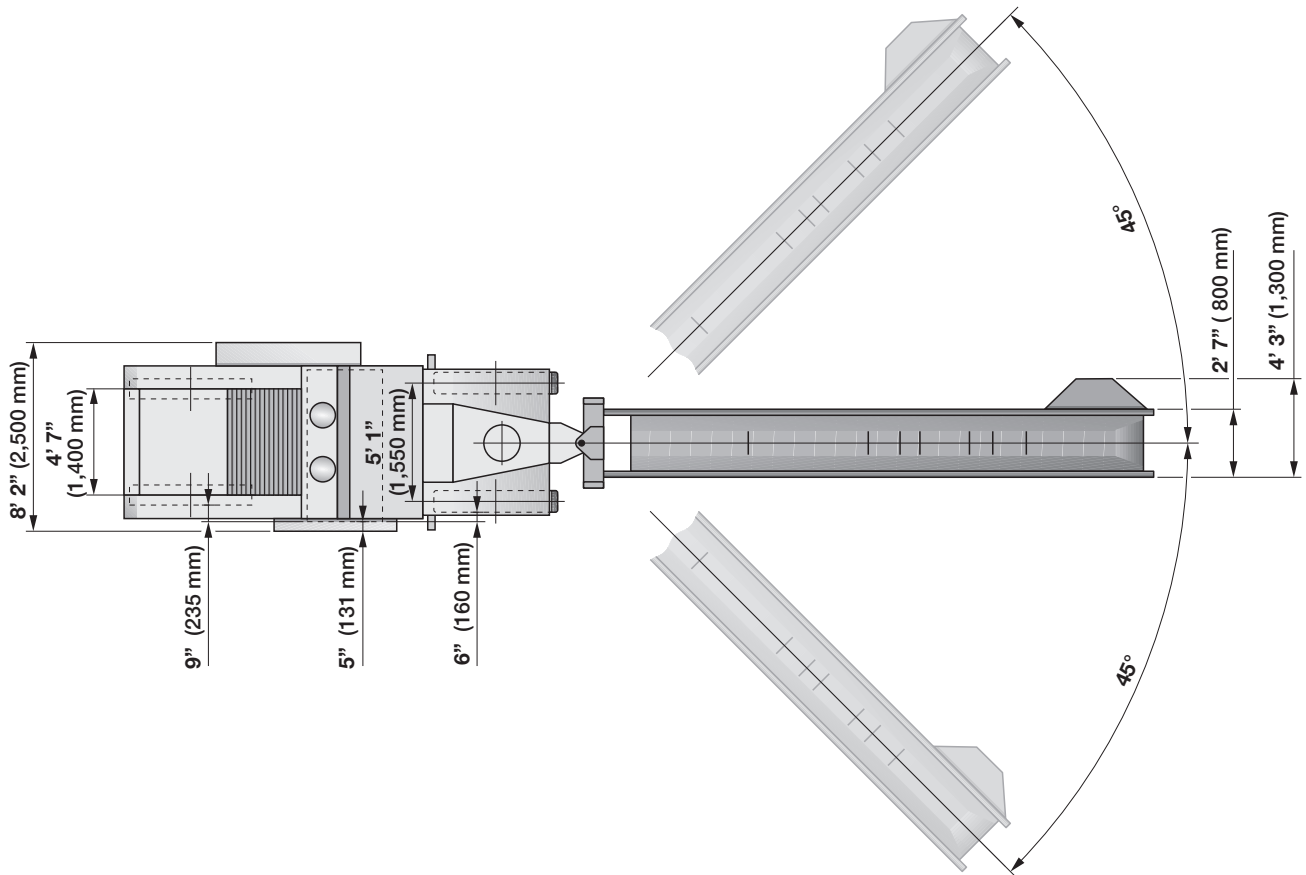
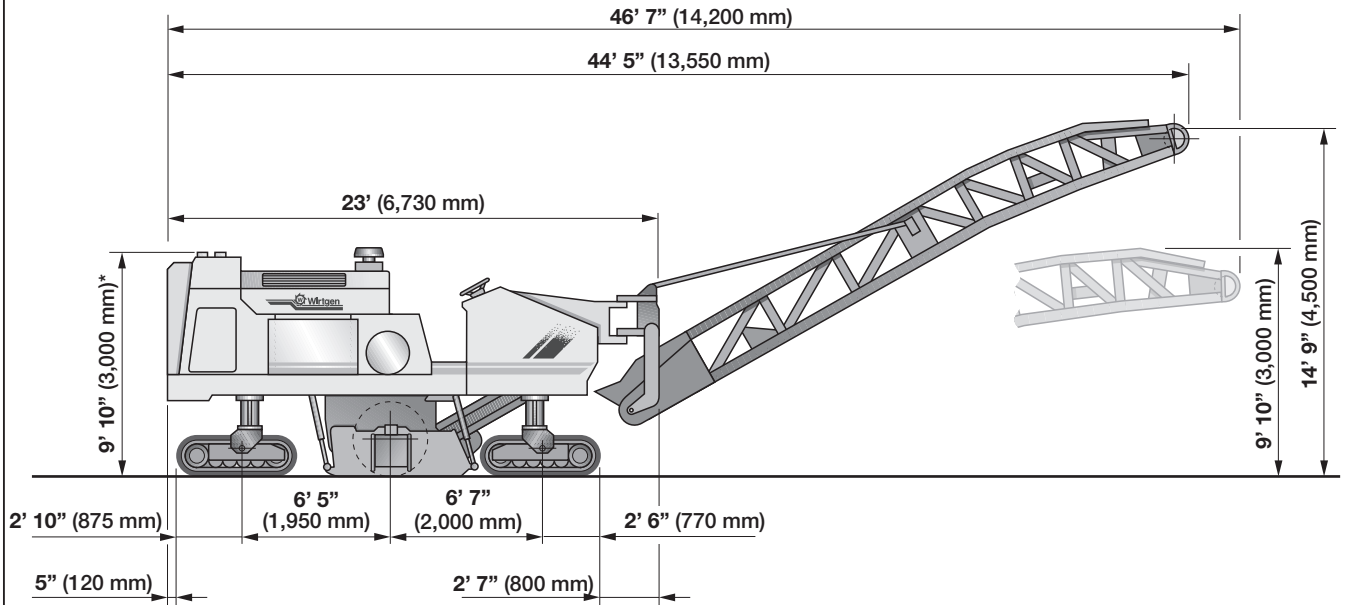


Technical specification

Cold milling machine W 1900	
Milling width	6' 7" (2,000 mm)
Milling depth *1	0–1' 1" (0–320 mm)
Milling drum	
Tool spacing	5/8" (15 mm)
Number of tools	162
Drum diameter with tools	3' 3" (980 mm)
Engine	
Manufacturer	Daimler Chrysler
Type	OM 502 LA
Cooling	Water/Air (intercooler)
Number of cylinders	8
Rated power at 2,000 min ⁻¹	340 kW/455 HP/462 PS
Maximum power at 1,800 min ⁻¹	350 kW/469 HP/476 PS
Engine speed	2,000 min ⁻¹
Displacement	4.2 gal (15.9 l)
Fuel consumption, full load	22.2 gal/h (84 l/h)
Fuel consumption, 2/3 load	14.8 gal/h (56 l/h)
Emission standards	EPA Tier III, EU Stage III a
Electrical system	24 V
Filling capacities	
Fuel tank	224.5 gal (850 l)
Hydraulic fluid tank	71.3 gal (270 l)
Water tank	422.7 gal (1,600 l)
Driving characteristics	
Travel speed in milling gear, max.	0–97 ft/min (0–29.5 m/min)
Travel speed in travel gear, max.	0–2.8 mph (0–4.5 km/h)
Crawler tracks	
Crawler tracks front and rear (L x W x H)	5' 3" x 10" x 1' 10" (1,600 x 260 x 550 mm)
Loading the milled material	
Belt width of primary conveyor	2' 7" (800 mm)
Belt width of discharge conveyor	2' 7" (800 mm)
Theoretical capacity of discharge conveyor	379 yd ³ /h (290 m ³ /h)
Shipping dimensions	
Machine (L x W x H)	21' 8" x 8' 4" x 9' 10" (6,600 x 2,550 x 3,000 mm)
Discharge conveyor (L x W x H)	27' 11" x 4' 3" x 3' 9" (8,500 x 1,300 x 1,150 mm)

*1 = The maximum milling depth may deviate from the value indicated, due to tolerances and wear.

Dimensions

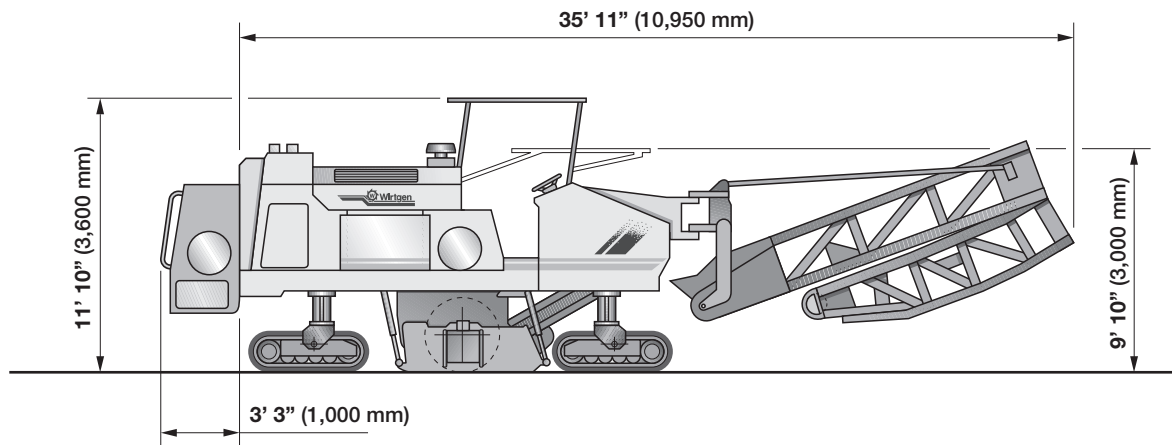


* = Machine height with optional cyclonic air filter: 9' 11" (3,030 mm)

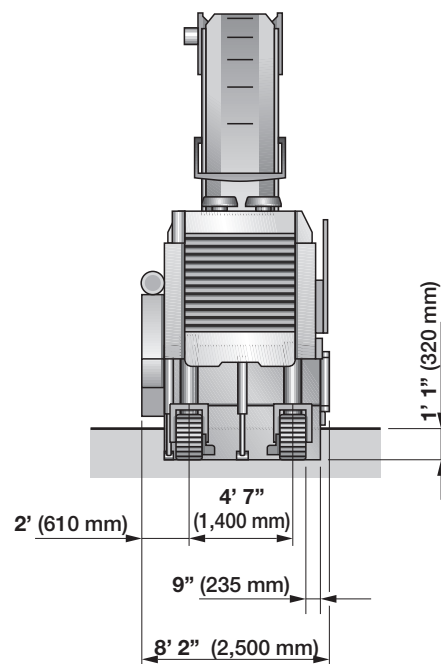
	Standard weights of cold milling machine W 1900
Shipping weight	55,997 lbs (25,400 daN (kg))
Operating weight, CE*	58,819 lbs (26,680 daN (kg))
Operating weight, max.	61,641 lbs (27,960 daN (kg))
	Add-on weights
FCS Light milling drum assembly	
FCS Light milling drum assembly, milling width 2,000 mm, milling depth 0–320 mm, number of cutting tools: 162	1,455 lbs (660 daN (kg))
Optional equipment	
Canopy	551 lbs (250 daN (kg))
Folding conveyor	793 lbs (360 daN (kg))
Additional water tank 264.18 gal (1,000 l) unfilled	1,807 lbs (820 daN (kg))

* = Weight of machine with half-full water tank, half-full fuel tank, driver (165.4 lbs/75 kg) and tools.

Special equipment: Canopy, folding conveyor and additional water tank
Dimensions

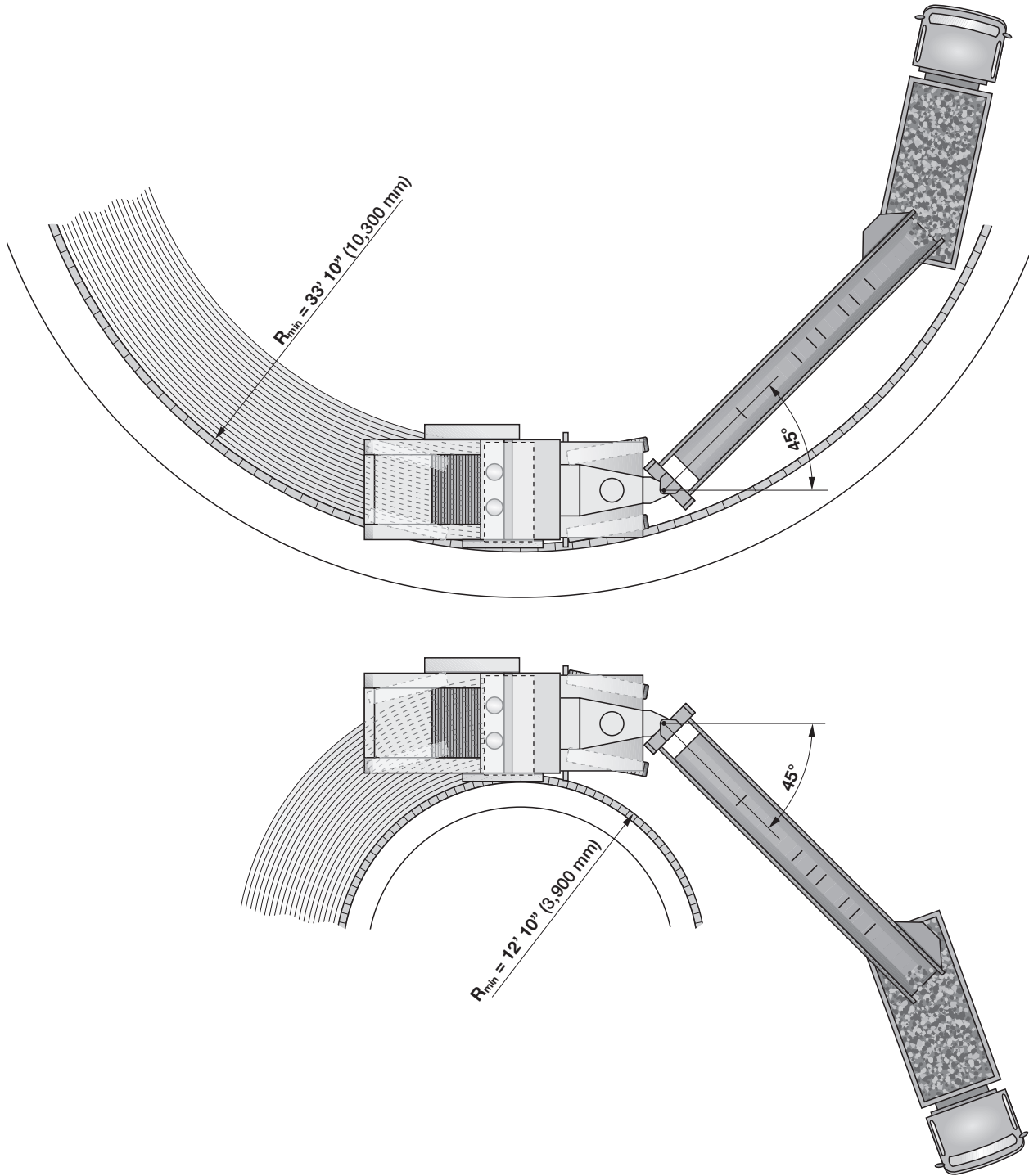


Rear view W 1900
Dimensions



Turning radius of cold milling machine W 1900 at 6" (150 mm) milling depth

Dimensions



Equipment features of cold milling machine W 1900

Standard equipment:

Operator's platform

- ✔ Convenient control panel with practical switches
- ✔ Lockable covers for control panels
- ✔ Individually adjustable driver's seat
- ✔ Vibration-damped operator's platform
- ✔ Access left and right with convenient fold-away ladder
- ✔ Exterior rear view mirror

Machine control system

- ✔ Digital electric height indication
- ✔ Automatically engageable hydraulic traction control (flow divider)
- ✔ Automatically engaging maximum milling speed control
- ✔ Freely selectable steering modes of crawler tracks
- ✔ Engageable high-pressure water system
- ✔ Engaging water injection in milling chamber
- ✔ Engaging water spray system at primary conveyor

Engine

- ✔ Highly effective soundproofing of entire engine compartment

Milling drum assembly with milling drum

- ✔ Standard assembly with milling width 6' 7" (2,000 mm)
- ✔ Milling drum in welded double-pin toolholder design
- ✔ Additional control switches for scraper blade and steering functions at ground level
- ✔ Right-hand side plate in hinged design
- ✔ Hydraulically opening scraper blade with convenient lock mechanism
- ✔ Replaceable wearing segments on side plates

Loading the milled material

- ✔ Discharge conveyor slewing angle left 45 degrees
- ✔ Discharge conveyor slewing angle right 45 degrees
- ✔ Conveyor system with continuous conveying speed

Travelling gear/Height adjustment

- ✔ Extremely wear-resistant polyurethane track pads
- ✔ 4-track steering
- ✔ Height adjustment via proportional valve control

Miscellaneous

- ✔ Lighting package with 10 spotlights
- ✔ Comprehensive tool kit
- ✔ Comprehensive safety package with 5 emergency stop buttons

Optional equipment:

Operator's platform

- ✔ Canopy
- ✔ Sunshade

Machine control system

- ✔ LEVEL PRO automatic leveling system
- ✔ Additional LEVEL PRO control panel
- ✔ Slope sensor
- ✔ Ultrasonic sensor
- ✔ Scanning a wire with transducing sensor
- ✔ Pre-installation for Multiplex system with switching board for multiple sensors
- ✔ 3-fold Multiplex

Engine

- ✔ Cyclonic air filter
- ✔ Air compressor system
- ✔ Operation of cold milling machine with bio-degradable hydraulic fluid
- ✔ Refuelling pump for diesel tank

Milling drum assembly with milling drum

- ✔ FCS Light milling drum housing for milling width 6' 7" (2,000 mm)
- ✔ Milling drums with HT11 quick-change toolholder system
- ✔ Milling drum with milling width 6' 7" (2,000 mm) LA8 FCS
- ✔ Milling drum with milling width 6' 7" (2,000 mm) LA6x2 FCS
- ✔ Milling drum with milling width 6' 7" (2,000 mm) HT11 LA20 FCS
- ✔ Hydraulically lifting drum plates
- ✔ Additional lock-valve for scraper blade
- ✔ Drum turning device for cutting tool replacement
- ✔ Pneumatic cutting tool driver and extractor
- ✔ Mounting carriage for milling drums

Loading the milled material

- ✔ Hydraulically operated folding discharge conveyor, long
- ✔ Conveyor system with adjustable conveying speed
- ✔ Hydraulically lifting primary conveyor

Miscellaneous

- ✔ Special painting
- ✔ Lighting package with 6 Xenon spotlights
- ✔ Additional water tank 264.18 gal (1,000 l)
- ✔ Hydraulically operated filling pump for water tank
- ✔ High-pressure water wash down
- ✔ Towing device
- ✔ Camera system
- ✔ Additional storage compartment for cutting tool containers



WIRTGEN AMERICA

Wirtgen America Inc.
6030 Dana Way · Nashville, TN 37013, USA
Phone: (615) 501-0600 · Fax: (615) 501-0691
Internet: www.wirtgenamerica.com