



Technical specification

Cold milling machine W 2000

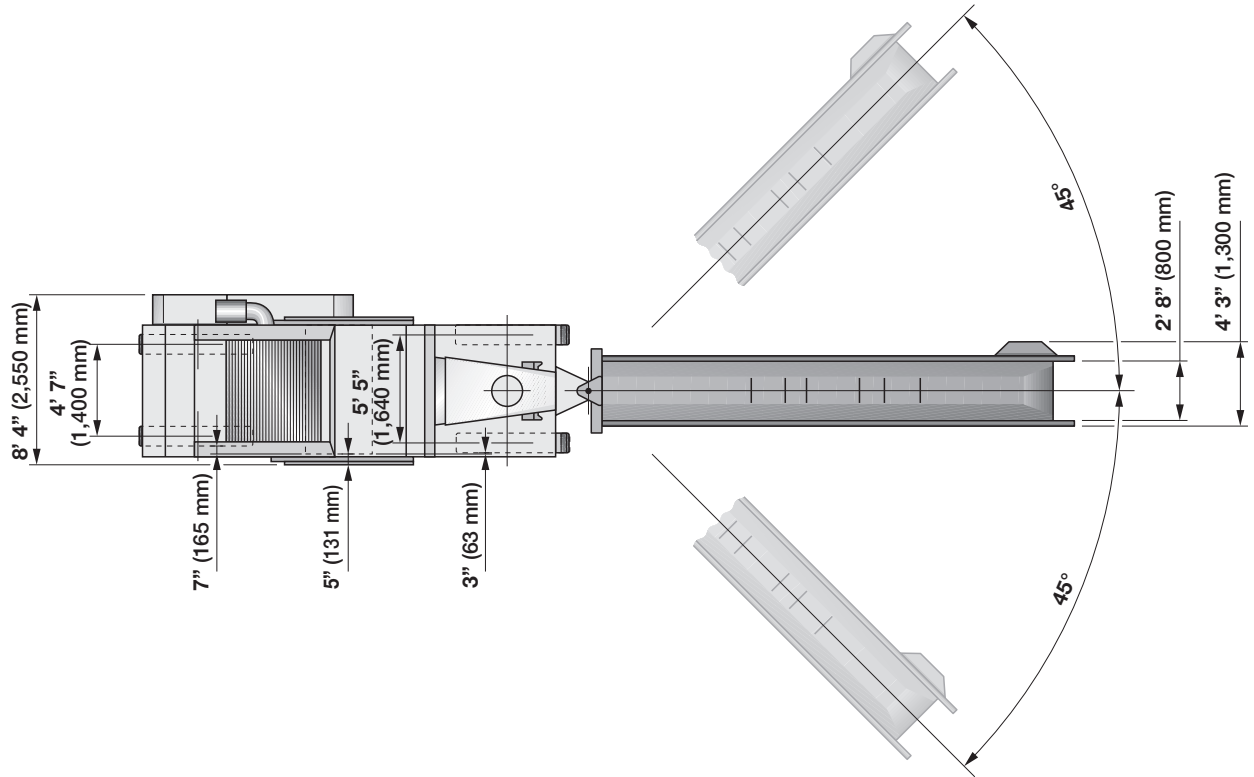
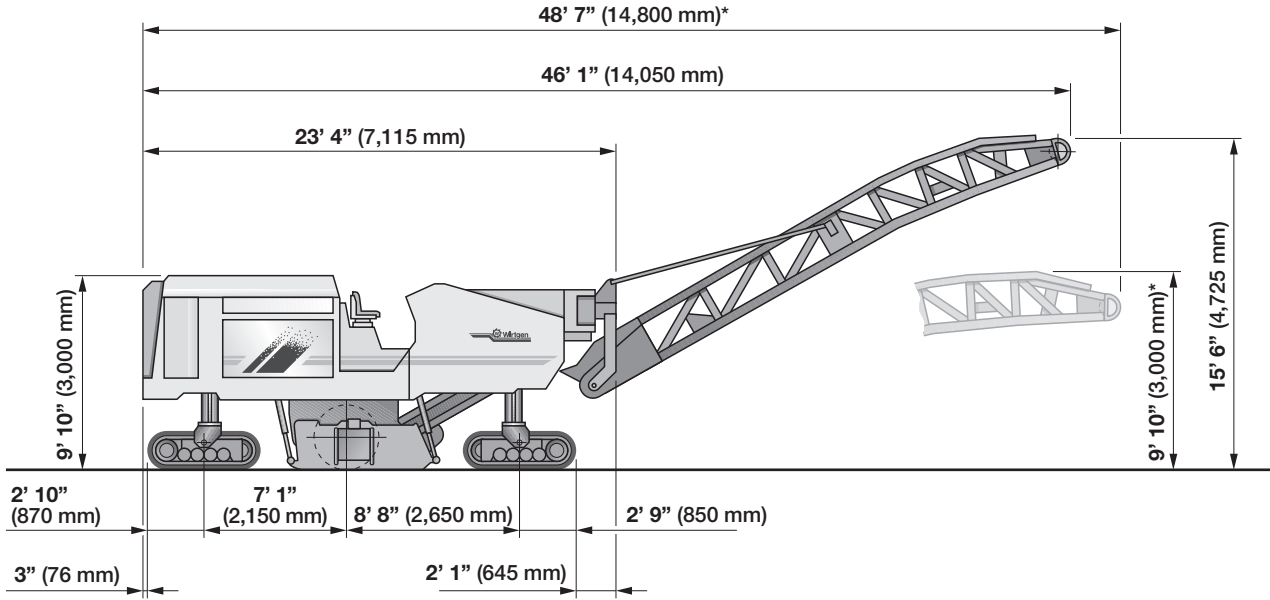


Technical specification

		Cold milling machine W 2000
Milling width max.		6' 7" (2,000 mm)
Milling depth *1		0–13" (0–320 mm)
Milling drum		
Tool spacing		⁵ / ₈ " (15 mm)
Number of tools		162
Drum diameter with tools		3' 3" (980 mm)
Engine		
Manufacturer		Caterpillar
Type		C 15 ATAAC
Cooling		Water
Number of cylinders		6
Rated power		433 kW/581 HP/589 PS
Engine speed		2,100 min ⁻¹
Displacement		4 gal (15.21 l)
Fuel consumption, full load		27.2 gal/h (103 l/h)
Fuel consumption ² / ₃ load		18.2 gal/h (69 l/h)
Emission standards		EPA Tier III, EU Stage III a
Electrical system		24 V
Filling capacities		
Fuel tank		346.1 gal/h (1,310 l)
Hydraulic fluid tank		79.3 gal/h (300 l)
Water tank		906.1 gal/h (3,430 l)
Driving characteristics		
Travel speed		0–276 ft/min (0–3.1 mph) 0–84 m/min (0–5 km/h)
Crawler tracks		
Crawler tracks, front and rear (L x W x H)		5' 8" x 12" x 2' (1,720 x 300 x 610 mm)
Conveyor system		
Belt width of primary conveyor		2' 8" (800 mm)
Belt width of discharge conveyor		2' 8" (800 mm)
Theoretical capacity of discharge conveyor		432 yd ³ /h (330 m ³ /h)
Shipping dimensions		
Machine	(L x W x H)	23' 7" x 8' 6" x 9' 10" (7,200 x 2,585 x 3,000 mm)
Discharge conveyor	(L x W x H)	28' 1" x 4' 6" x 4' 3" (8,550 x 1,370 x 1,300 mm)

*1 = The maximum milling depth may deviate from the value indicated, due to tolerances and wear.

Dimensions



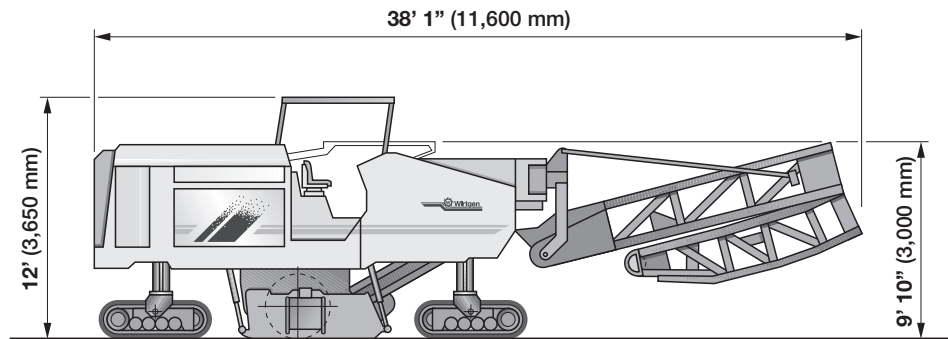
* = Dimensions for low-loader transport

	Standard weights of cold milling machine W 2000
Shipping weight	61,068 lbs (27,700 daN (kg))
Operating weight, CE *	66,138 lbs (30,000 daN (kg))
Operating weight, max.	70,988 lbs (32,200 daN (kg))
	Add-on weights
Optional milling drum assemblies	
Milling drum assembly, milling width 7' 3" (2,200 mm), milling depth 0–13" (0-320 mm), number of cutting tools: 174	661 lbs (300 daN (kg))
FCS Light milling drum assembly, milling width 6' 7" (2,000 mm), milling depth 0–13" (0-320 mm), number of cutting tools: 162	1,323 lbs (600 daN (kg))
Optional equipment	
Canopy	551 lbs (250 daN (kg))
Folding conveyor	794 lbs (360 daN (kg))

* = Weight of machine with half-full water tank, half-full fuel tank, driver (165.4 lbs / 75 kg) and tools.

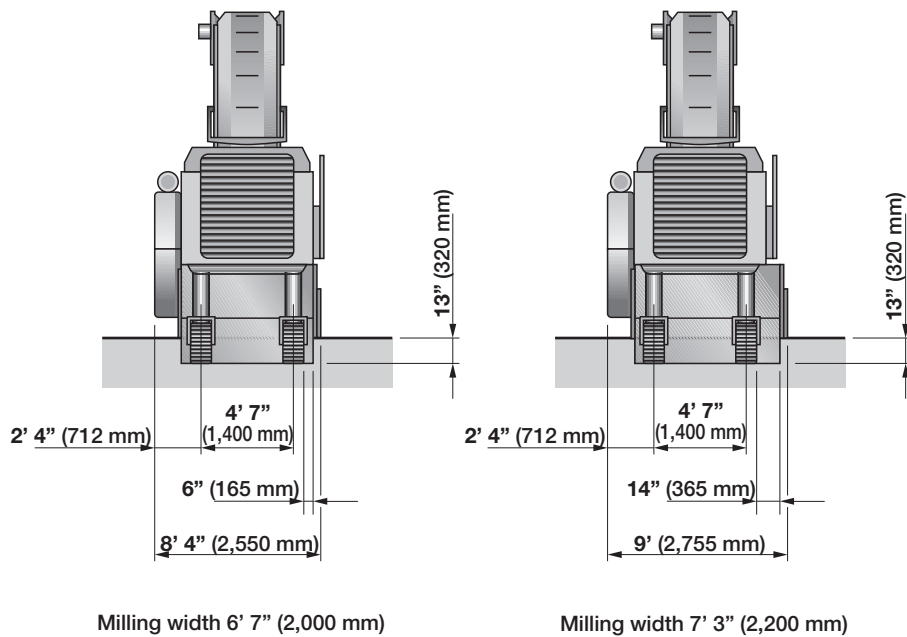
Optional equipment: canopy and folding conveyor

Dimensions



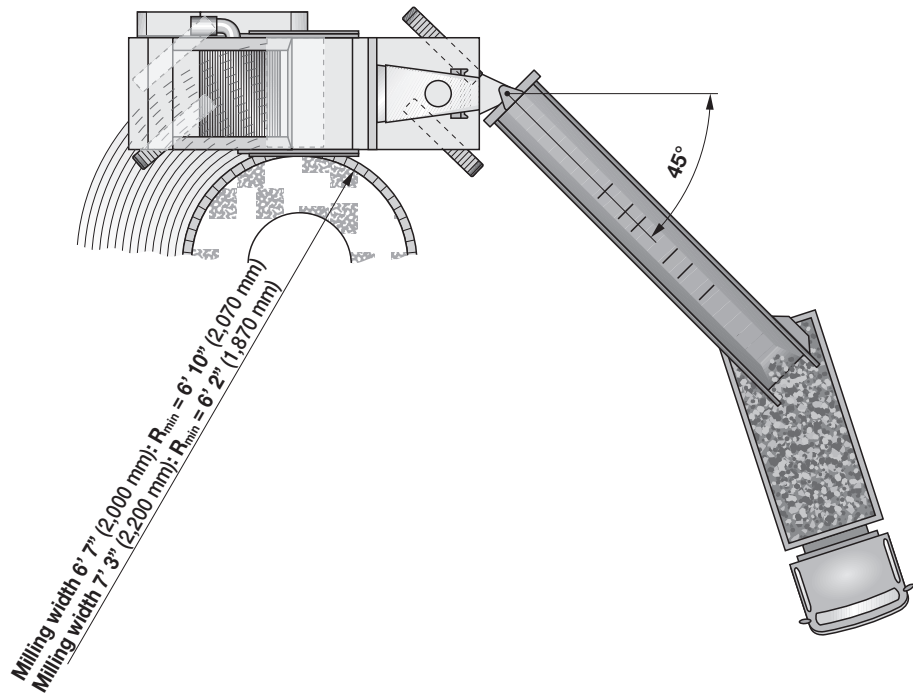
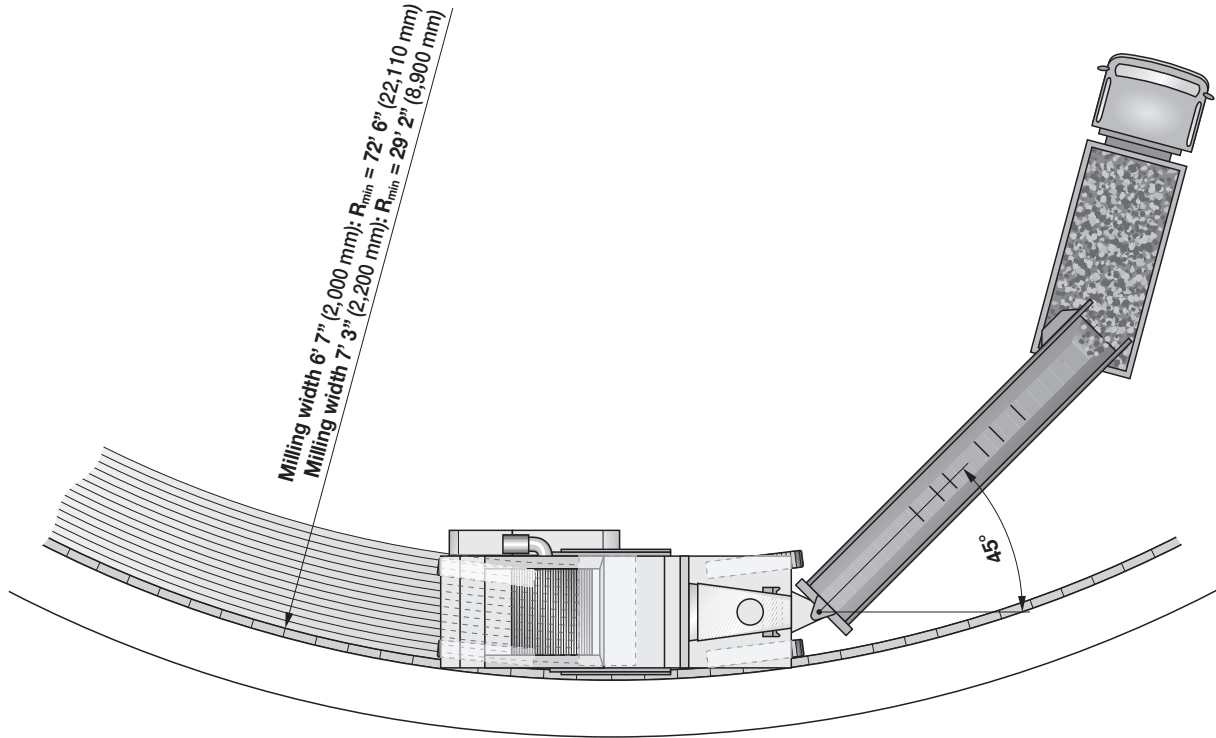
Rear view W 2000

Dimensions



Milling radius of cold milling machine W 2000 at 6" (150 mm) milling depth

Dimensions



Equipment features of cold milling machine W 2000

Standard equipment:

Operator's platform

- Walk-through, vibration-damped operator's platform, supported elastically, with one control panel each left and right and two individually adjustable driver's seats; the control panels can be adjusted in height and inclination, and can additionally be moved to either side
- Lockable covers for control panels
- Access left and right with convenient fold-away ladder
- Two mirrors at the front, one mirror at the rear

Machine control

- Advance speed control across the entire speed range via joystick with proportional control
- Automatic power control unit for optimum power adjustment to different pavement materials
- Engageable hydraulic traction control (flow divider)
- Digital electric height indication
- Freely selectable steering mode of crawler tracks
- Engaging water injection in milling chamber
- Engaging water spray system at primary conveyor

Engine

- Water cooler with temperature-related fan speed
- Lockable, hydraulically opening engine cowling with integrated soundproofing package

Milling drum assembly with milling drum

- Milling drum housing for milling width 6' 7" (2,000 mm), consisting entirely of hard-wearing sheet metal
- Milling drum in welded double-pin toolholder design, milling width 6' 7" (2,000 mm)
- Wide opening, electro-hydraulically operated drum door / scraper blade combination; the scraper blade is pressurized hydraulically and equipped with replaceable tungsten carbide elements
- Replaceable wearing segments on side plates
- Additional control switches for scraper blade at ground level
- Right-hand side plate in hinged design

Loading of milled material

- Two-stage loading system with 2' 7" (800 mm) wide conveyor belt
- Discharge conveyor slewing angle of 45 degrees left and right
- Conveyor system with continuous conveying speed

Chassis and height adjustment

- Wear-resistant polyurethane track pad equipment
- Continuously adjustable, hydraulic all-track drive with hydraulic differential lock
- Height adjustment via proportional valve control

Miscellaneous

- Lighting package with 10 spotlights
- Comprehensive safety package with 6 emergency stop buttons
- Lockable toolbox with comprehensive toolkit for servicing and maintenance
- Painting: white with orange stripe
- Safety certificate by the Employer's Liability Insurance Association
- Storage compartment for four tool containers
- Standard water filling, front (excluding filling pump)

Optional equipment:

Operator's platform

- Stable, soundproofed GRP canopy with folding rear screen; canopy can be folded up and down hydraulically
- Sunshade
- WIDIS 32 multi-functional display in right-hand control panel

Machine control

- LEVEL PRO automatic leveling system with 2 wire-ropes sensors
- Additional LEVEL PRO control panel
- Scanning in front of the milling drum by means of a wire-rope sensor
- Electronic slope sensor
- Additional ultrasonic sensor, left
- Sonic ski sensor
- Pre-installation for Multiplex system with switching board for multiple sensors
- Electronic longitudinal leveling to equalize ground irregularities on one machine side (Multiplex system available in various designs)
- Laser-supported longitudinal leveling for producing a highly accurate subgrade level (transmitter not included)

Engine

- Air intake with cyclonic pre-cleaner
- Air compressor system
- Operation of cold milling machine with biodegradable hydraulic fluid
- Refuelling pump for diesel tank

Milling drum assembly with milling drum

- Milling drum housing for milling width 7' 3" (2,200 mm), consisting entirely of hard-wearing sheet metal
- Milling drum with HT11, milling width 7' 3" (2,200 mm), tool spacing 15 mm
- FCS Light milling drum housing, milling width 6' 7" (2,000 mm)
- Milling drum with HT11, milling width 6' 7" (2,000 mm), tool spacing 15 mm
- FCS Light milling drum, milling width 6' 7" (2,000 mm), tool spacing 8 mm
- FCS Light milling drum, milling width 6' 7" (2,000 mm), tool spacing 6x2 mm
- FCS Light milling drum with HT11, milling width 6' 7" (2,000 mm), tool spacing 20 mm
- Hydraulically lifting side plates, left and right
- Additional locking valve for scraper blade when milling down to top edge of subbase layer
- Drum turning device for cutting tool replacement
- Pneumatic cutting tool driver and extractor
- Mounting carriage for milling drums

Loading of milled material

- Hydraulically operated folding discharge conveyor, long
- Conveyor system with adjustable conveying speed
- Hydraulically lifting primary conveyor
- Conveyor support legs for low-loader transport (standard conveyor design only)

Miscellaneous

- Special painting
- Lighting package with 6 Xenon spotlights and 4 standard spotlights
- Towing device (tow machine away from danger zone)
- Material guide arranged between the rear crawler tracks, including storage compartment for four tool containers
- Material guide arranged between the rear crawler tracks, including storage compartment for four tool containers and dual seat for convenient tool replacement
- Additional rear water filling port (excluding filling pump)
- Hydraulically operated filling pump for water tank
- Hydraulically operated high-pressure water cleaner (max. 200 bar)
- Hydraulically operated high-pressure water cleaner combined with hydraulically operated filling pump
- Camera system to facilitate manoeuvring and monitor the loading operation, comprising one camera in the rear part of the machine and one camera at the discharge conveyor, as well as a screen centrally located in the operator's platform



WIRTGEN AMERICA

Wirtgen America Inc.
6030 Dana Way · Nashville, TN 37013, USA
Phone: (615) 501-0600 · Fax: (615) 501-0691
Internet: www.wirtgenamerica.com